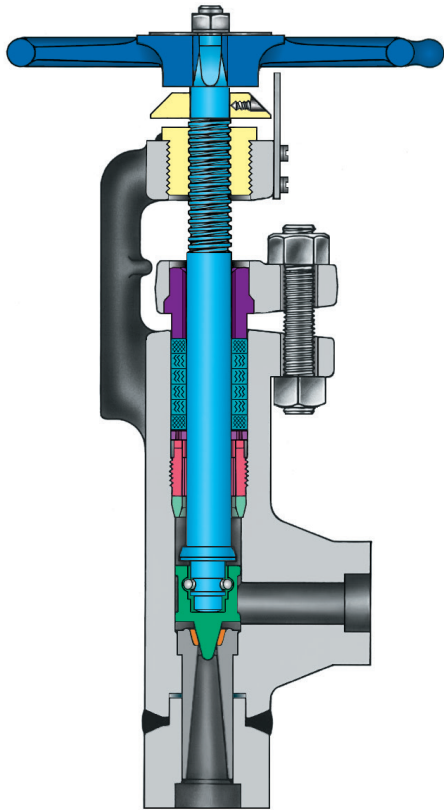


Welded ends

NPS 1/2 – 3 (DN 15 – 80), ASME Classes 600, 1500, 2500, 3100, 3500, 4100



Design features

- Complies to ASME B16.34 standards
- Incorporating a hardfaced CoCr alloy disc and seat and a venturi diffuser from stainless steel type 316.
- Orifice range: 1/8 to 1 1/16" (3.18 to 42.86 mm), depending on the capacity required.

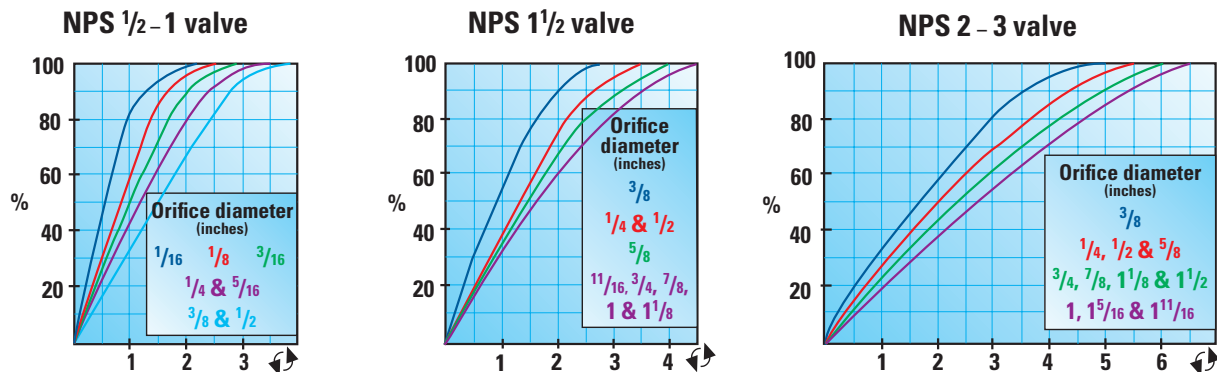
Applications

- Designed for continuous blowdown.
- Can also be used for sampling and boiler feed pump bypass relief where high pressure drop causes erosion and cavitation that can destroy conventional globe valves.

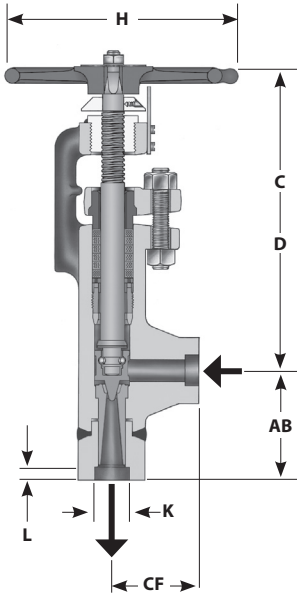
Figure numbers

ASME Class	Forged angle
600	2105Y
1500	3105Y
2500	4105Y
3100	C105Y
3500	D105Y
4100	E105Y

Wide open capacities (%) vs Handwheel turns (↔)



Quick sheet: Continuous blowdown forged angle valves



- AB = Center-to-bottom
- CF = Center-to-end
- C = Center-to-top, closed
- D = Center-to-top, open
- H = Handwheel
- K = Socket weld bore
- L = Socket weld depth

Continuous blowdown dimensions, weights, and C_V s

Size NPS DN	ASME Class 600, 1500, 2500							lb / kg	C_V
	AB	CF	C	D	H	K	L		
½	3.45	3.19	11.9	12.6	8	0.855	0.38	28	4
15	88	81	302	320	203	21.7	9.5	13	
¾	3.62	3.19	11.9	12.6	8	1.065	0.5	28	6
20	92	81	302	320	203	27.1	12.7	13	
1	4.42	3.19	11.9	12.6	8	1.33	0.5	31	6
25	112	81	302	320	203	33.8	12.7	14	
1½	5	3	15.8	16.6	12	1.675	0.5	57	25
40	127	76	401	422	305	42.5	12.7	26	
2	6.5	5	18.3	19.7	12	2.406	0.63	93	55
50	165	127	465	500	305	61.1	15.9	42	
3	6.5	5	18.3	19.7	12	-	-	93	55
80	165	127	465	500	305	-	-	42	

Note: C_V refers to low coefficients. K_v is the metric equivalent of C_V . $K_v = C_V \times 0.85$.